

R1500 & R1600 BRICK INSTALLATION SEQUENCE -

MAKE SURE THE SMALL STEP ON BRICK IN ON THE TOP AND FACING INSIDE THE FIREBOX.

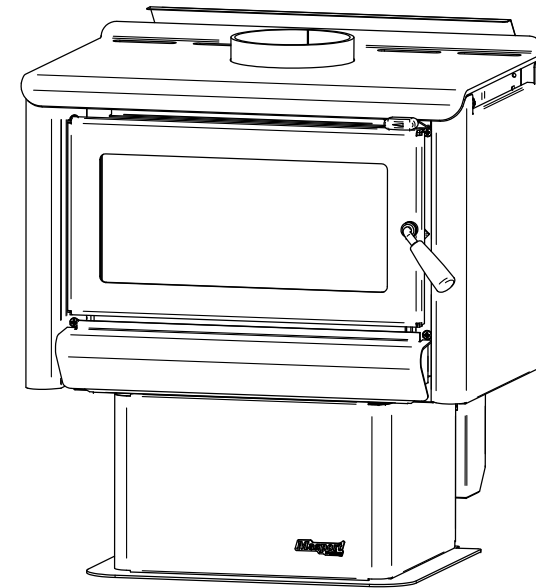
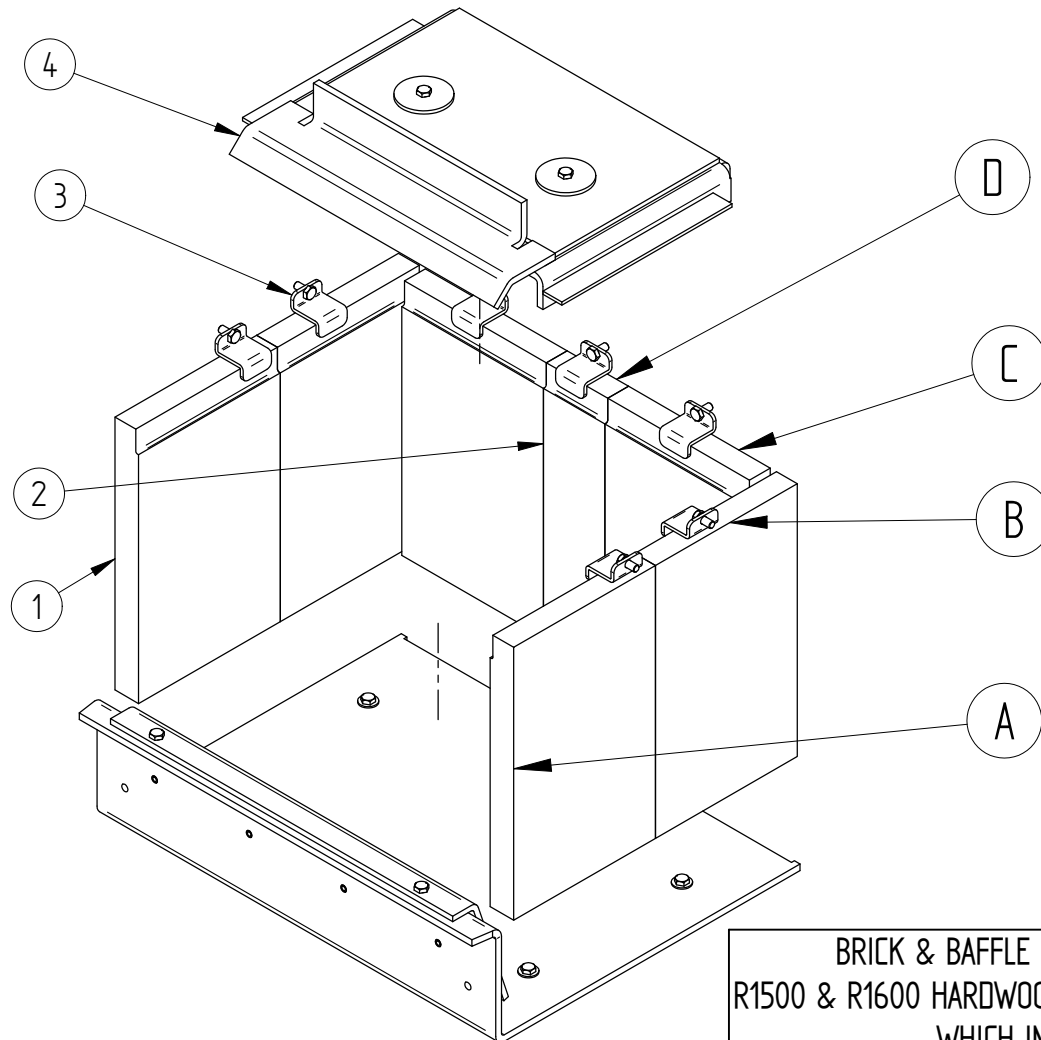
(A) INSTALL ONE BRICK EACH SIDE BY PLACING BETWEEN THE 2 X BOLT HEADS ON THE FIREBOX

FLOOR. SLIDE THESE BRICKS FORWARD TO THE FRONT OF THE FIREBOX

(B) NEXT FIT IN POSITION THE TWO REAR-SIDE BRICKS.

(C) THEN FIT THE REAR-LEFT AND REAR-RIGHT CORNER BRICKS

(D) LASTLY FIT THE CENTER-REAR, HALF BRICK



| R1500 & R1600 BRICK LAYOUT | | | |
|----------------------------|----------|---------------------------|----------|
| ITEM | PART ID | DESCRIPTION | QUANTITY |
| 1 | MIC00354 | MIC BRICK | 6 |
| 2 | MIC00355 | MIC BRICK HALF | 1 |
| 3 | HBA00118 | HBA BRICK RETAINER | 7 |
| 4 | 993773 | R1500 BAFFLE SUB ASSEMBLY | 1 |

BRICK & BAFFLE LAYOUT FOR ALL
R1500 & R1600 HARDWOOD & SOFTWOOD MODELS
WHICH INCLUDES
NZ - R1500 PED, LEG, RURAL & WOOD STACKER
AUS - R1500 HW & R1600 HW